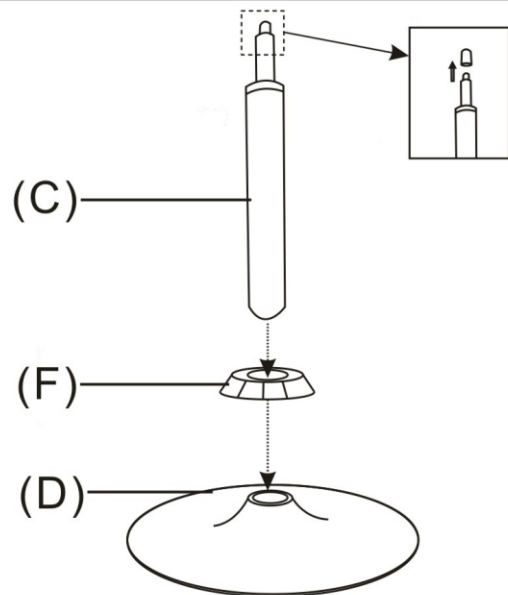
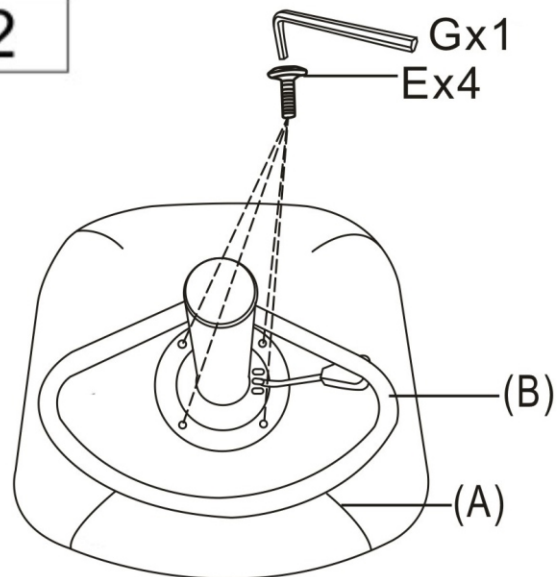


CHIRO

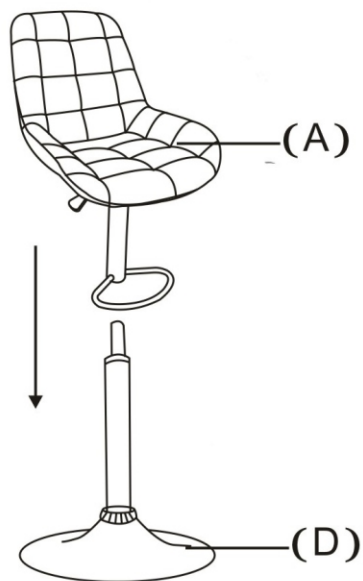
1



2



3



4



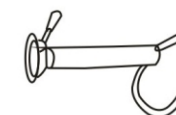
Ax1



Ex4



Bx1



Fx1



Cx1



Gx1



Dx1

